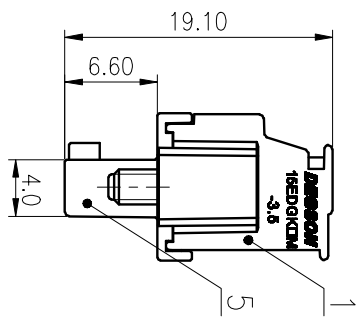
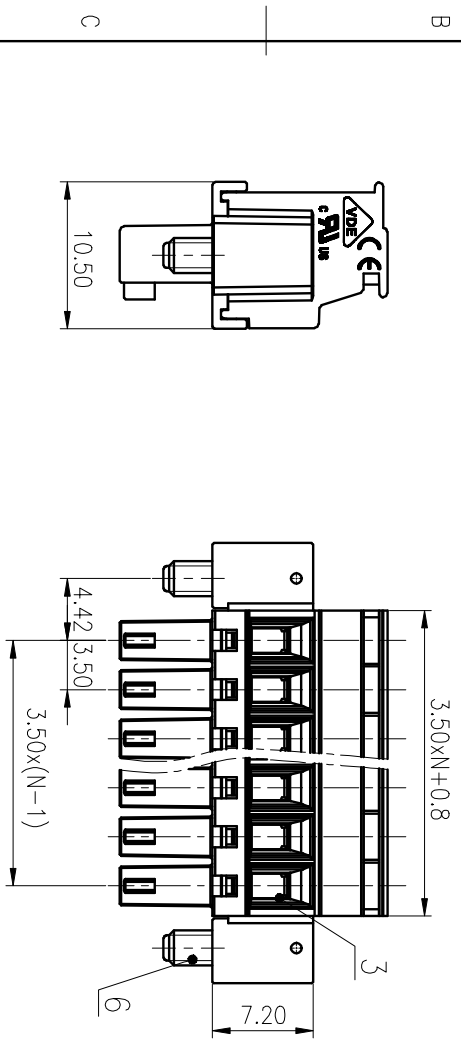
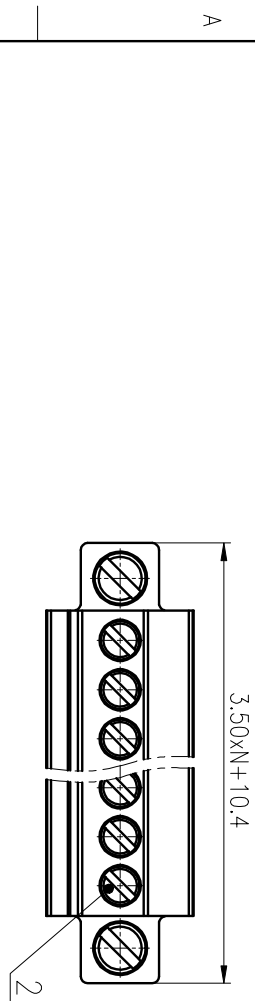
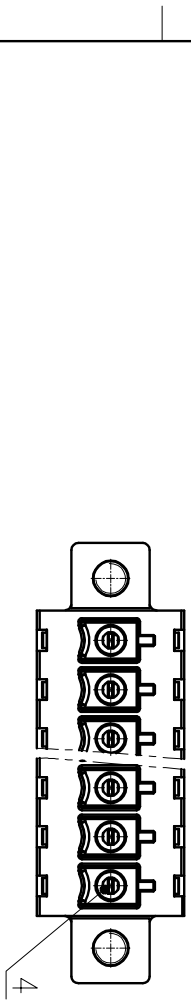


精度等级/General	tolerance/(mm)	0	>3	>6	>10	>18	>30	>50	>80	>120	>180	>250	>315	>400	>500	0.1/10
~	~	~	~	~	~	~	~	~	~	~	~	~	~	~	~	±Z
±0.12	±0.18	±0.22	±0.26	±0.31	±0.37	±0.57	±0.80	±0.93	±1.05	±1.15	±1.60	±2.20	±2.50	±Z	±Z	



ITEM	NAME OF PART	MATERIAL	NOTES
6	Screw 2	Steel	M2.5/Zn Plated
5	Cover	PA66	UL94V-0
4	Clamp	Copper Alloy	Sn Plated
3	Cage	Copper Alloy	M2/Ni Plated
2	Screw 1	Steel	M2/Zn Plated
1	Housing	PA66	UL94V-0



UL 标准/UL Standard:	B	C	D
额定电压/电涌/Rated Voltage(V)/Current(A)	300/8	/	300/8
IEC 标准/IEC Standard:			
过压类别/Overvoltage Category/污染等级/Pollution Degree	II/2		
额定电压/电涌/Rated Voltage(V)/Current(A)	250/7		
额定脉冲电压(kV)/Rate Impulse Voltage(kV)	2.5		
拧紧扭矩/Torque Tightening(N·m/Lb.in)	M2, 0.2/1.77		
线芯范围(硬线和软线)/Wire Range(rigid and flexible)(mm ² /AWG)	0.5~1.5/28~16		
间距/Pitch(mm)/线数范围/Poles	3.5/N=02~22P		
剥线长度/Stripping length(mm)	6~7		
使用温度范围/Operating temperature(°C)	-40~+105		
符合RoHS标准/Conform to RoHS	Yes		

MATERIAL: SURFACE: **DEGSON® NINGBO DEGSON ELECTRICAL CO., LTD**

MAT NO.:	/	NAME:	15EDGKAM-3.5-XXP-1Y-100A(H)					
STATUS:	/	APPD:	Lan CHH 2020.05.29					
CHKD:	Yu JZh 2020.05.29	DRAWING NO.:	10002028					
DRAFT:	Cenk 2020.05.29	TYPE:	CUSTOMER DRAWING					
REV	ECN	DESCRIPTION	DRAFT	DATE	SIZE: A4	SCALE: 2:1	REV	TO
1	2	3	4	5	6	1/1	1/1	1/1