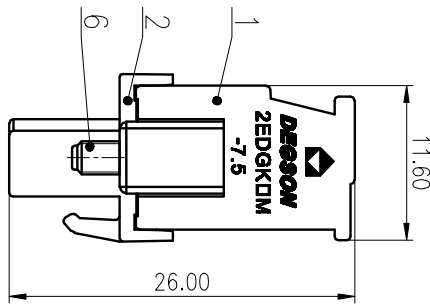
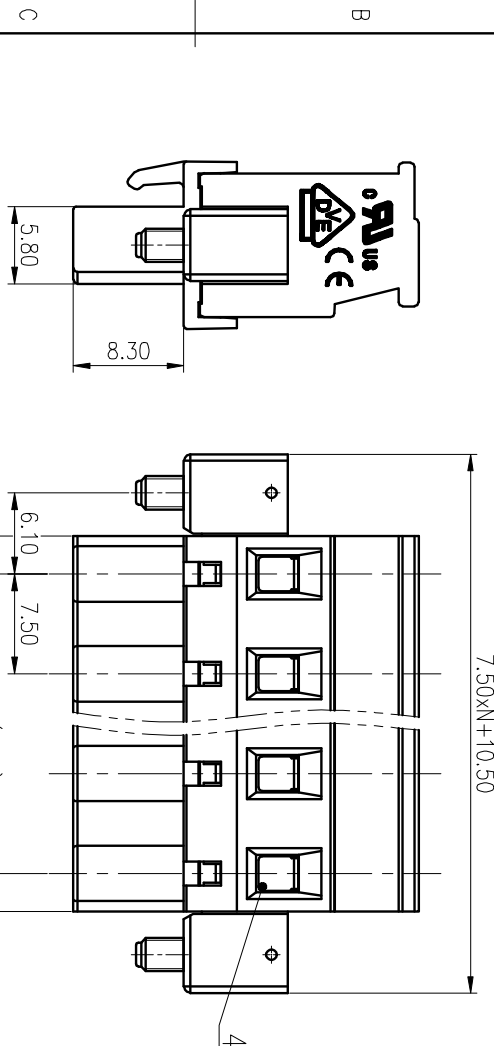
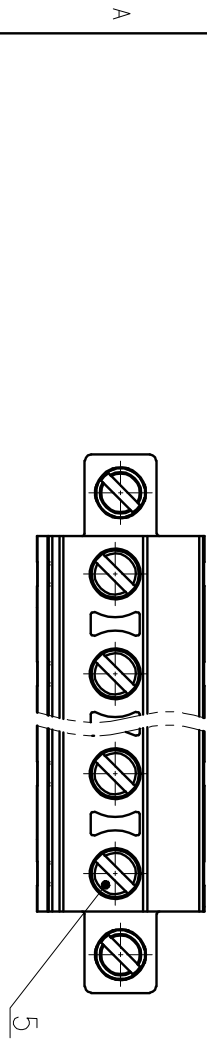
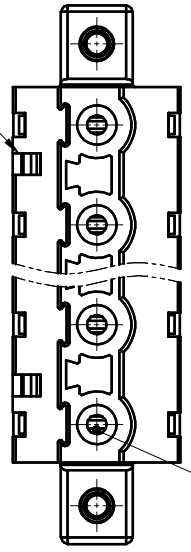


公差等级/General Tolerances(mm)	0	>3	>6	>10	>18	>30	>50	>80	>120	>180	>250	>315	>400	>500	0.1/10
~	~	~	~	~	~	~	~	~	~	~	~	~	~	~	~
±0.12/±0.18	±0.22	±0.26	±0.31	±0.37	±0.57	±0.80	±0.93	±1.05	±1.15	±1.60	±2.20	±2.50	±2.50	±2.50	±2



02P: Clasp on the left from this view



ITEM	NAME OF PART	MATERIAL	NOTES
6	Screw 2	Steel	M2.5/Zn Plated
5	Screw 1	Steel	M3/Zn Plated
4	Cage	Copper alloy	M3/Ni Plated
3	Clamp	Copper alloy	Sn Plated
2	Cover	PA66	UL94V-0
1	Housing	PA66	UL94V-0

UL 标准/UL Standard:	B	C	D
额定电压/电涌/Rated Voltage(V)/Current(A)	300/15	/	300/10
IEC 标准/IEC Standard:	300/15		
过压类别/Overvoltage Category/污染等	III/3		
额定电压/电涌/Rated Voltage(V)/Current(A)	/	/	400/18
额定脉冲电压(KV)/Rote Impulse Voltage(KV)	/	/	4
额定扭矩/Torque Tightening(N·m/Lbin)	M3: 0.6/5.3		
导线范围(硬线和软线)/Wire Range(rigid and flexible)(mm²/AWG)	1.0~2.5/28~12		
间距/Pitch(mm)/线数范围/Poles	7.5/N=02~12P		
剥线长度/Stripping length(mm)	7		
操作温度范围/Operating temperature(°C)	-40~+105		
符合RoHS环保要求/Conform to RoHS	Yes		

MATERIAL: / SURFACE: /

MAT NO.: / STATUS: /

APPR: Lon CHH 2020.05.18 NAME: **DEGSON® NINGBO DEGSON ELECTRICAL CO., LTD**
 CHKD:Gong YZh 2020.05.18 **ZEDGKBM-7.5-XXP-1Y-1000A(H)**

DRAFT: XXY 2014.10.10 DRAWING NO.: ZEDGKBM-7.5-C10 TYPE: CUSTOMER DRAWING SCALE: 2:1 SHEET 1/1