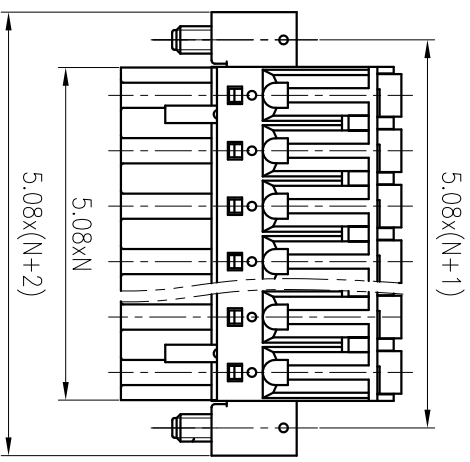
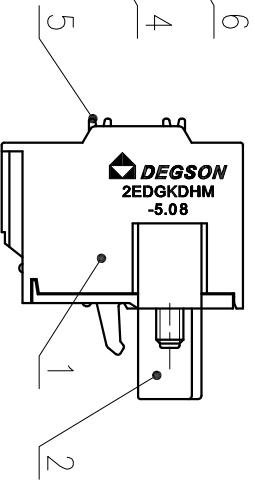
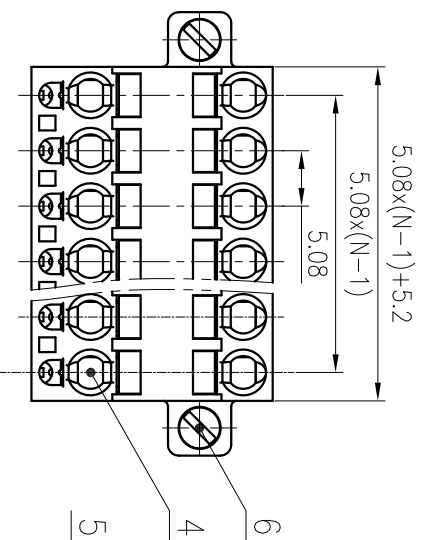
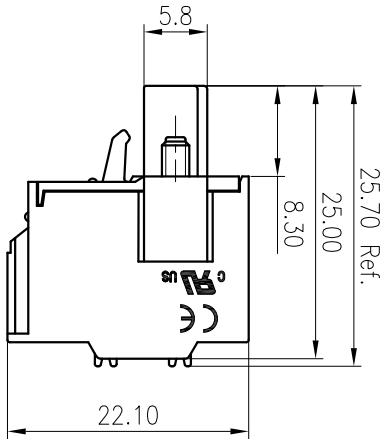
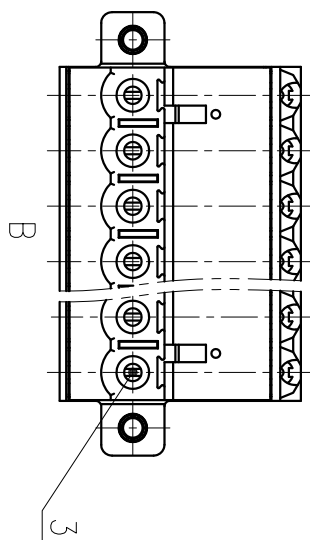
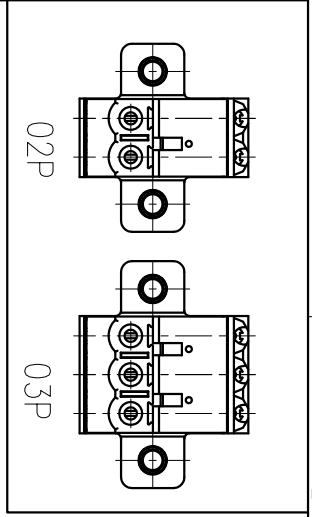


公差表/General tolerances(mm)		D	
0	>3	>180	>315
~	>6	>50	>400
3	10	80	500
6	18	120	500
10	30	180	500
±0.12	+0.18	+0.22	+0.26
	+0.31	+0.37	+0.57
	+0.80	+0.93	+1.05
	+1.15	+1.60	+2.20
	+2.50		
			±2



ITEM	NAME OF PART	MATERIAL	NOTES
1	Housing	PA66	UL94V-0
2	Cover	PA66	UL94V-0
3	Clamp	Copper alloy	Sn Plated
4	Spring	Stainless steel	/
5	Button	PA66	UL94V-0
6	Screw	Steel	M2.5/Zn Plate

REV	ECN	DESCRIPTION	DRAFT	DATE
1				

MATERIAL: / SURFACE: /

MAT NO.: /

STATUS: /

APPD: LIGL 2020.06.20

CHKD: Mek 2020.06.20

DRAFT: LY 2017.08.01

NAME: **DEGSON** 宁波高松电子有限公司
NINGBO DEGSON ELECTRICAL CO., LTD

2EDGKDHM-5.08-XXP-1Y-00A(H)

DRAWING NO.: 2EDGKDHM-5.08-C01

TYPE: CUSTOMER DRAWING

SCALE: 1.5:1 SHEET 1/1

UL 标准/UL Standard:	B	C	D
额定电压/Rated Voltage(V)/Current(A)	300/12	/	300/10
EC 标准/IEC Standard:			
过压类别/Overvoltage Category/污染等级	III/3	III/2	II/2
级/Pollution Degree			
额定电压/电流/Rated Voltage(V)/Current(A)	250/12	320/12	630/12
额定脉冲电压(KV)/Rate Impulse Voltage(KV)	4	4	4
额定扭矩/Torque Tightening(N·m/Lb·in)	M2.5, 0.3/2.67		
线径范围(硬导线/软导线)/Wire Range(rigid and flexible)(mm ² /AWG)	0.2~2.5/26~12		
间距/Pitch(mm)/线数范围/Poles	5.08/N=02~24P		
剥线长度/Stripping length(mm)	9~10		
使用温度范围/Operating Temperature(°C)	-40~+105		
符合RoHS环保要求/Conform to RoHS	Yes		
标准颜色编号/Standard color number:	/		
PANTONE / RAL	/		